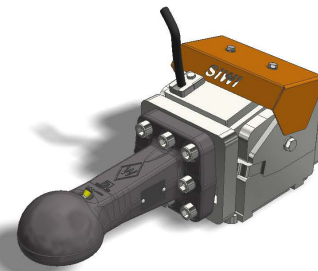
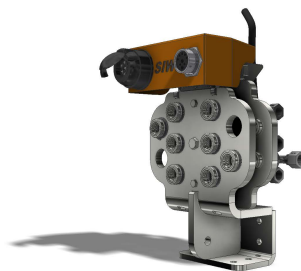
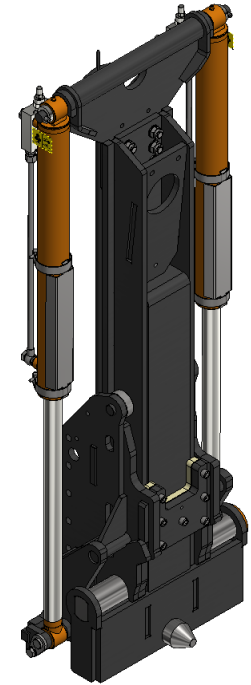
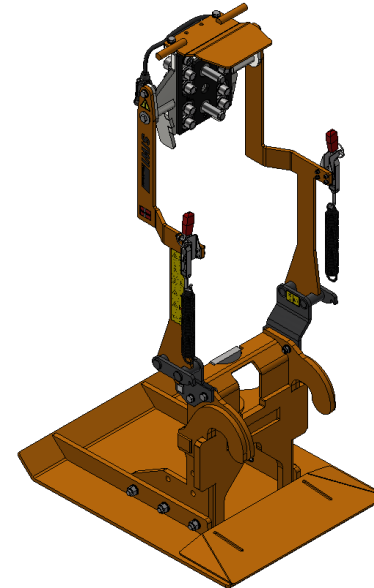
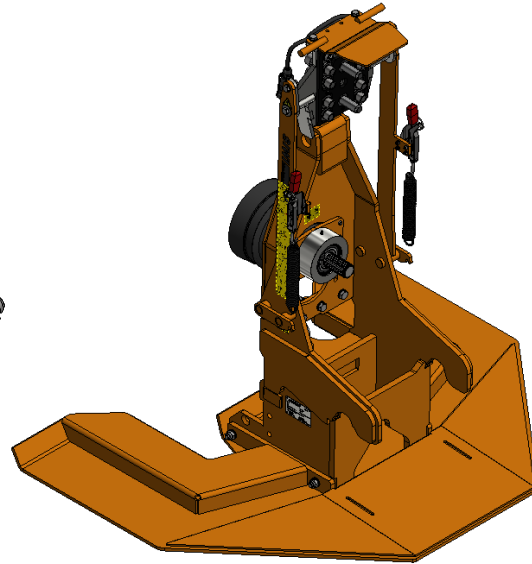
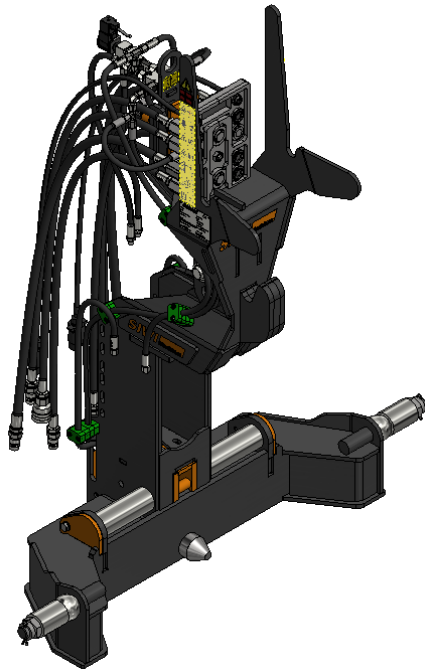




Combi Hitch Solutions

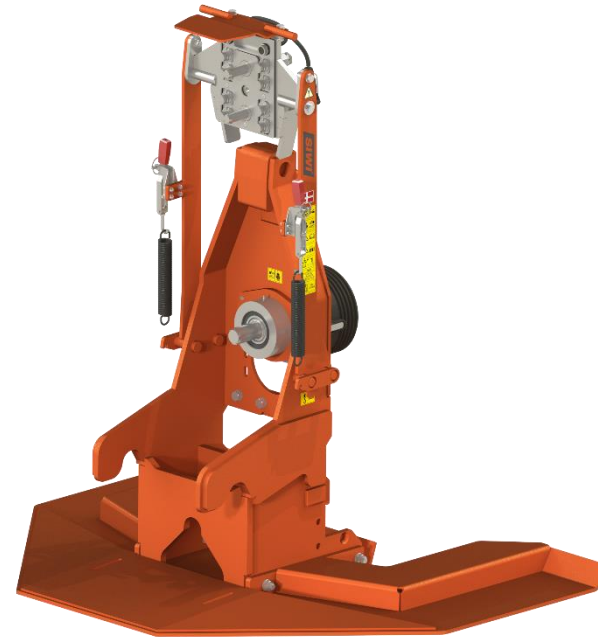


MADE IN DENMARK

***SIWI* – Compost & Lime spreading**



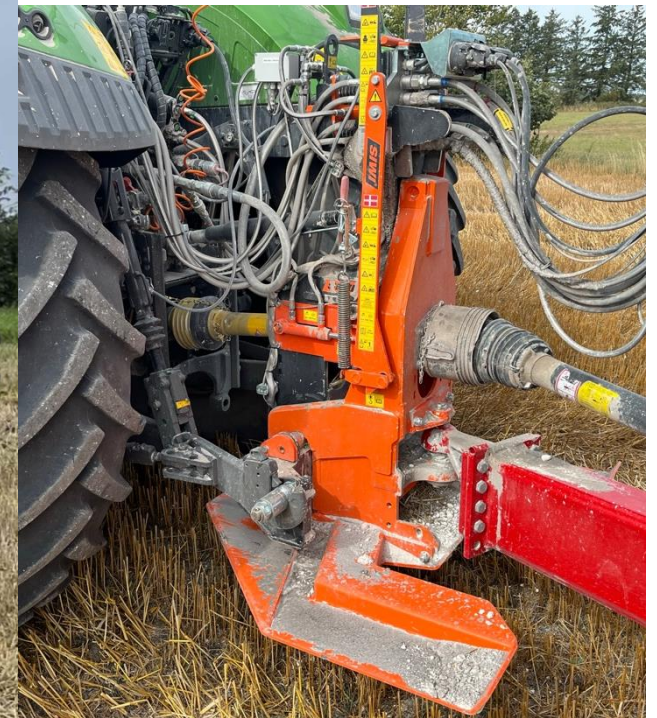
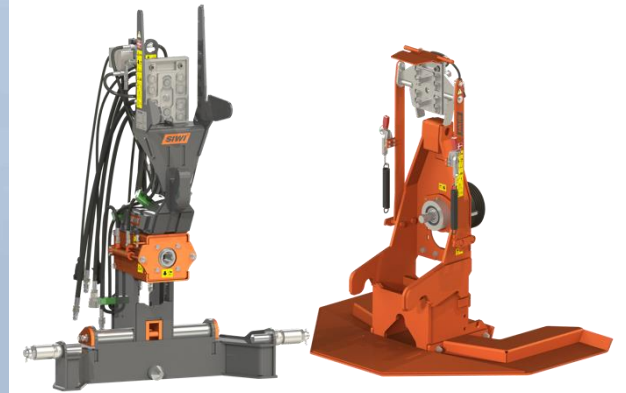
Tractor modul TM800-C3P



Trailer modul VM800P



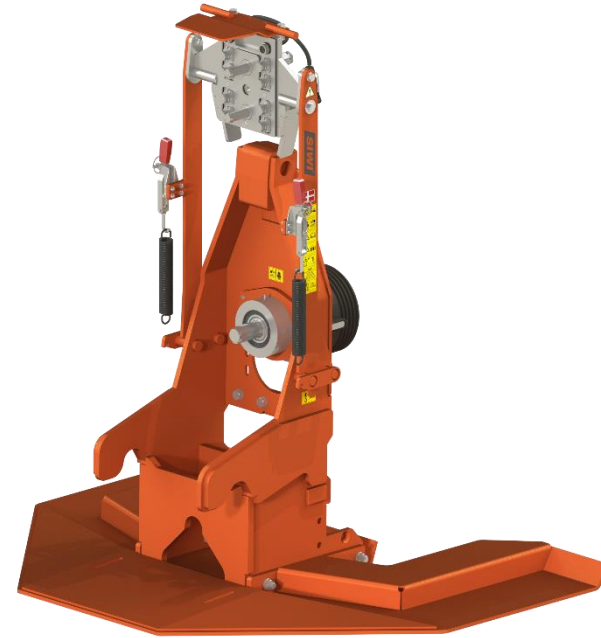




***SIWI* – Lime spreading**



Tractor modul TM800-C3P



Trailer modul VM800P









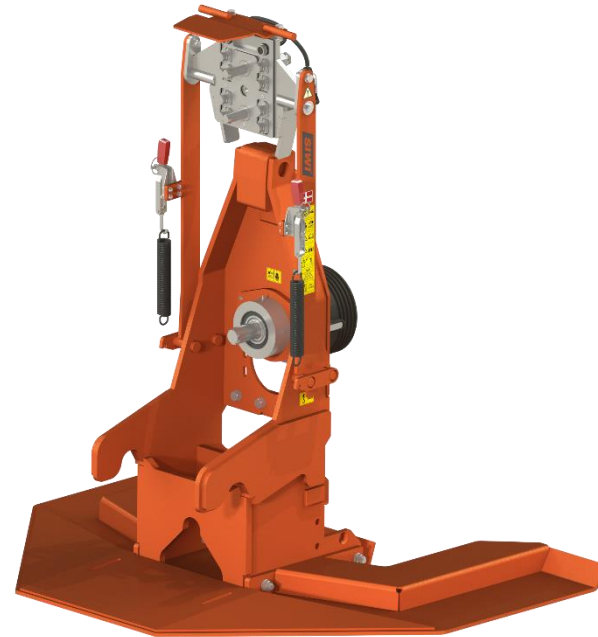




SIWI – Muck spreading



Tractor modul TM800-C3P



Trailer modul VM800P







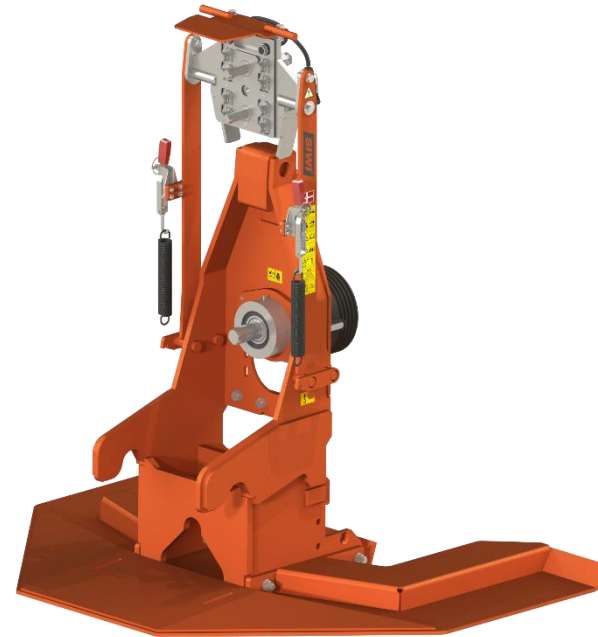




***SIWI* – Feeding mixer**



Tractor modul TM800-C3P

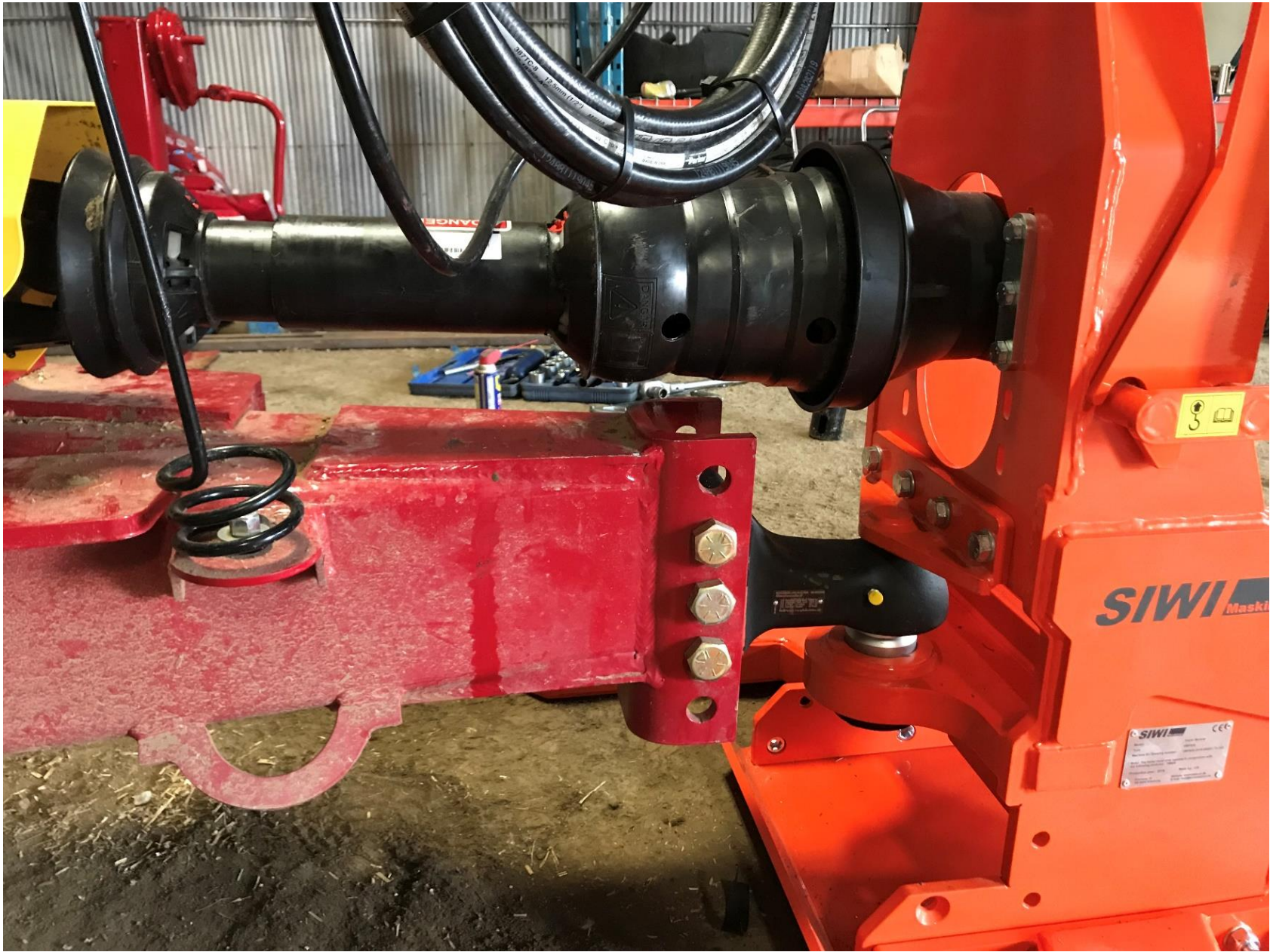


Trailer modul VM800P







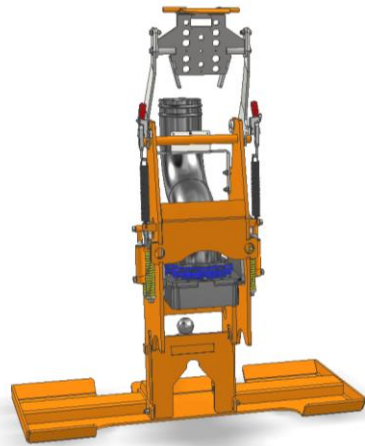




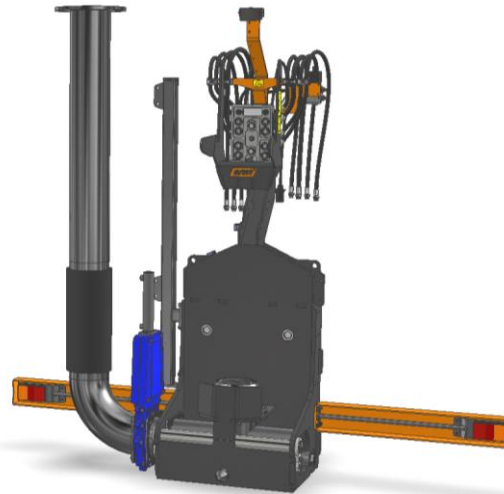
***SIWI* – Slurry**



**Machine modul MM800-H
Slurry transport**



Slurry Hitch



**Trailer modul VM800
Slurry transport**









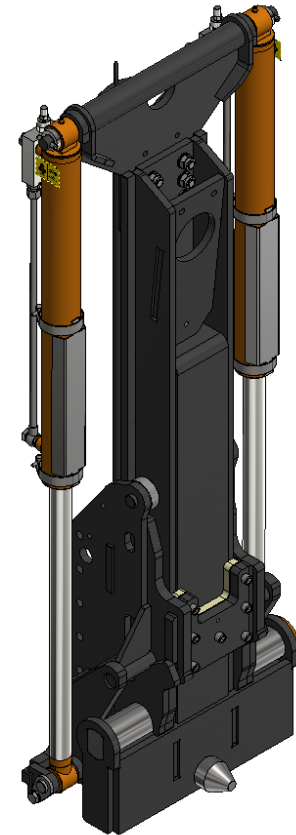
SIWI – Forage harvesting



Machine modul MM800-H



Trailer modul VM800



Machine modul MM800









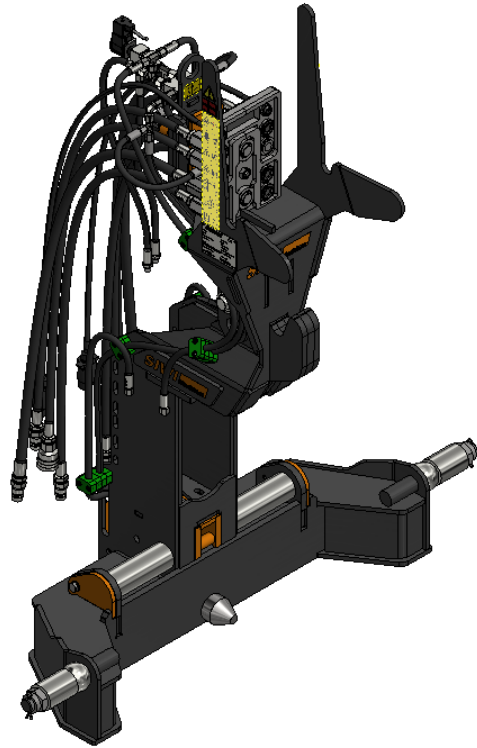




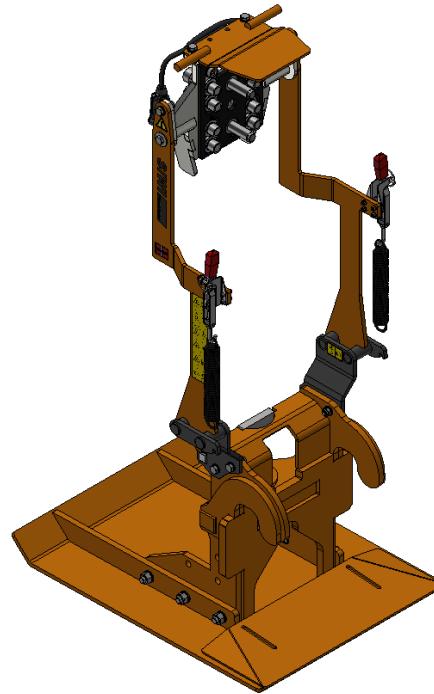




***SIWI* – Straw collecting**



Tractor modul TM800-C3



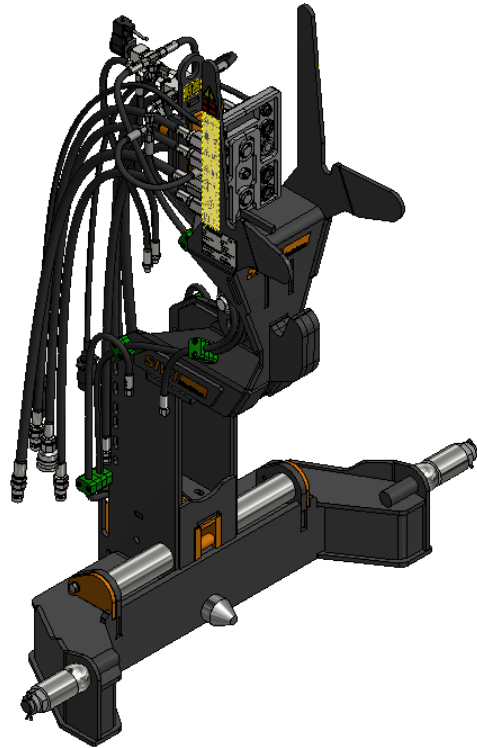
Trailer modul VM800



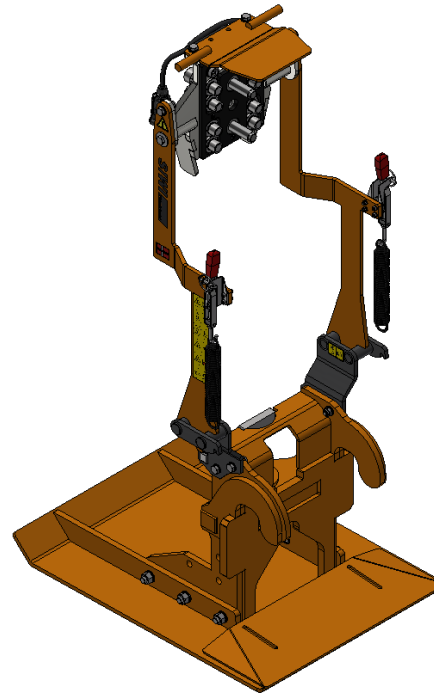




***SIWI* – Soil preparation**



Tractor modul TM800-C3

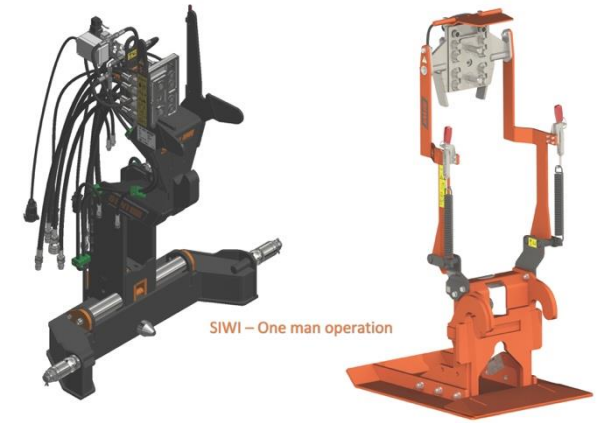


Trailer modul VM800



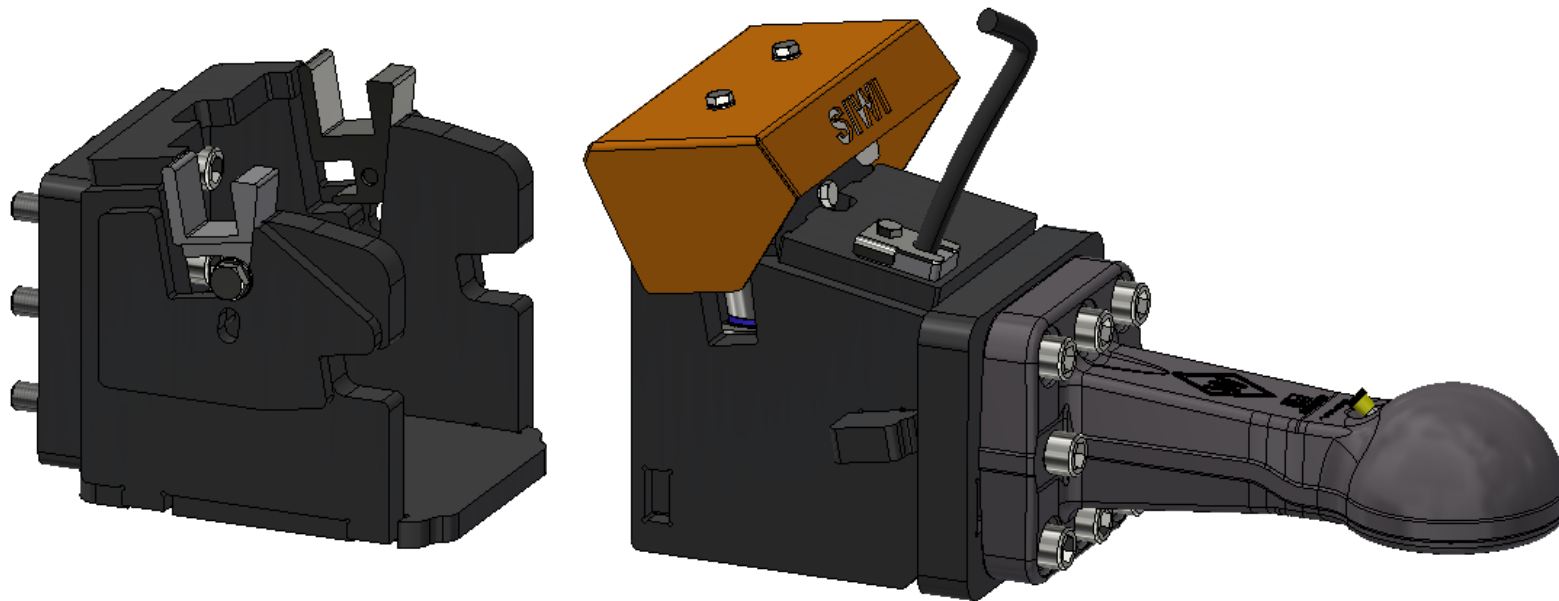
SIWI Combi-Hitch /// One system - Many possibilities

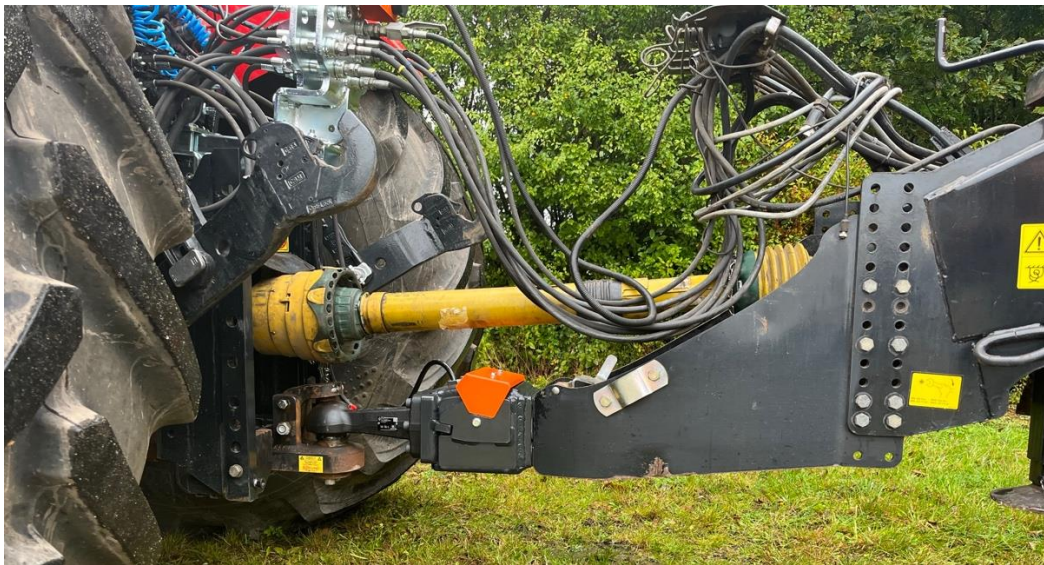


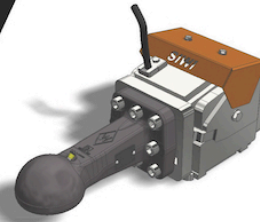
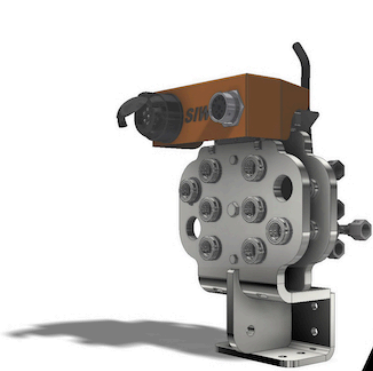




***SIWI* – FireSafe**







SIWI FireSafe

